



Poly X70 Large Room Video Conferencing System User Guide

[Home](#) » [Poly](#) » Poly X70 Large Room Video Conferencing System User Guide 



QUICK START POLY STUDIO X70
WITH WALL MOUNT



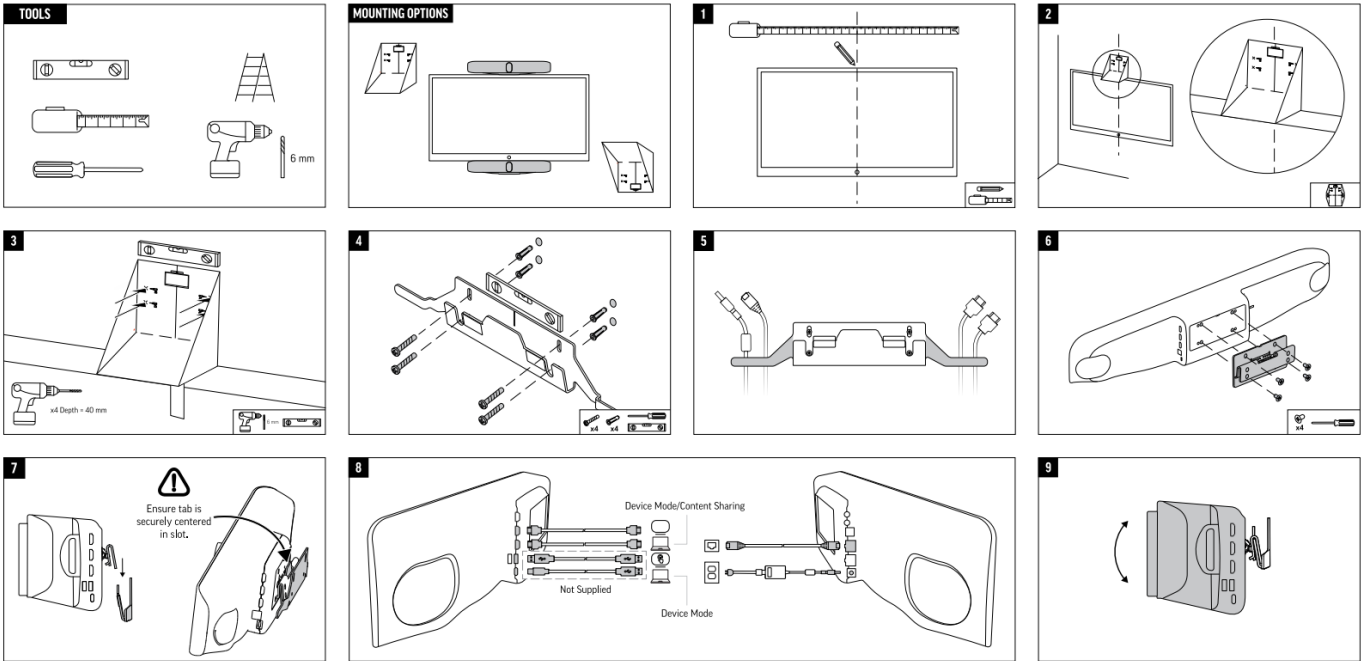
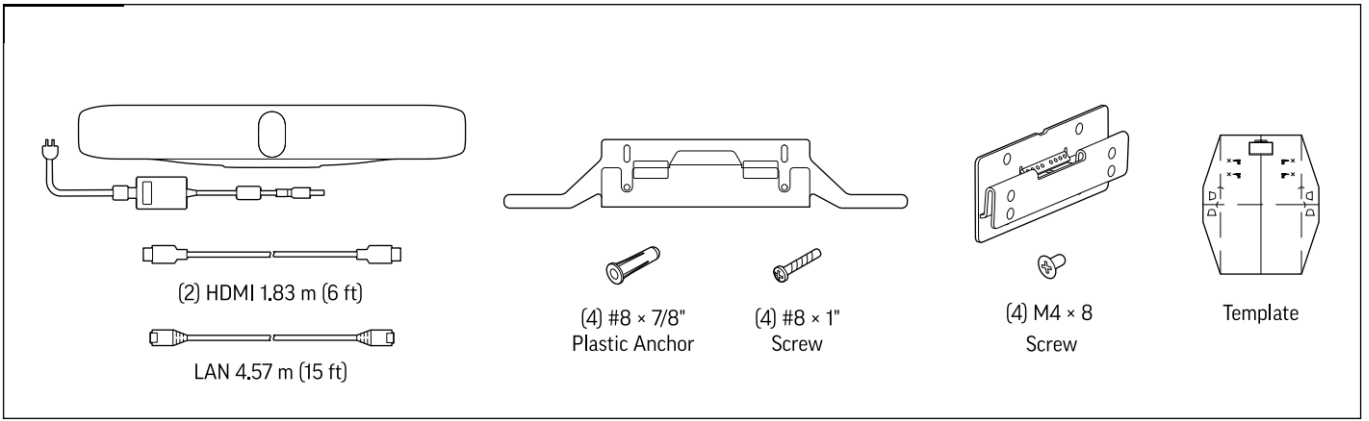
www.poly.com/support/studio-x70

Contents

- [1 X70 Large Room Video Conferencing System](#)
- [2 Documents / Resources](#)
 - [2.1 References](#)
- [3 Related Posts](#)

X70 Large Room Video Conferencing System

CONTENTS



www.poly.com/support/studio-x70

© 2022 Poly. All trademarks are the property of their respective owners.
1725-87373-001D 04.22



Recyclable where facilities exist



Documents / Resources

	<p>Poly X70 Large Room Video Conferencing System [pdf] User Guide X70 Large Room Video Conferencing System, X70, Large Room Video Conferencing System, Room Video Conferencing System, Video Conferencing System</p>
--	--

References

- [Poly Studio X70 | Poly, formerly Plantronics & Polycom](#)