



poly Studio X52 All-In-One Video Bar User Guide

[Home](#) » [Poly](#) » poly Studio X52 All-In-One Video Bar User Guide 

Contents

- 1 poly Studio X52 All-In-One Video Bar
- 2 Product Usage Instructions:
- 3 CONTENTS
- 4 OPTIONAL
- 5 INSTRUCTION
- 6 Documents / Resources
 - 6.1 References



poly Studio X52 All-In-One Video Bar



POLY STUDIO X52 STAND

Thank you for choosing the Poly Studio X52 Stand. This stand is designed to securely hold your Poly Studio X52 video conferencing system.

Product Information:

The Poly Studio X52 Stand is a sturdy and adjustable stand specifically designed for the Poly Studio X52 video conferencing system. It provides stability and flexibility to position the device according to your preference, ensuring optimal viewing angles and comfortable usage.

Key Features:

- Sturdy and durable construction
- Adjustable height and tilt angles
- Securely holds the Poly Studio X52

Product Usage Instructions:

1. Unbox the Poly Studio X52 Stand and carefully remove all packaging materials.
2. Place the stand on a stable surface, ensuring it is positioned correctly.
3. Adjust the height of the stand by loosening the height adjustment knob, moving the stand to the desired height, and tightening the knob to secure it in place.
4. To adjust the tilt angle, loosen the tilt adjustment knob, tilt the stand forward or backward to the desired angle, and tighten the knob to lock it in place.
5. Gently place the Poly Studio X52 on the stand, ensuring it is properly aligned and securely seated.
6. Connect the necessary cables to the Poly Studio X52 as per the device's user manual.
7. Once the device is securely placed on the stand and connected, you can power on the Poly Studio X52 and start using it for your video conferencing needs.

For more information or support, please visit poly.com/support/studio-x52/stand or poly.com/support/studio-x52.



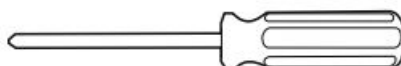
poly.com/support/studio-x52/stand

MANAGEMENT SOFTWARE

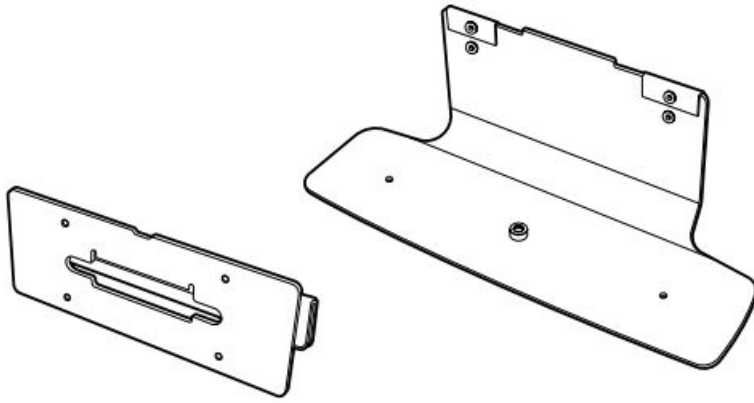
POLY LENS

poly.com/lens

TOOL



CONTENTS

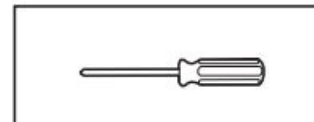
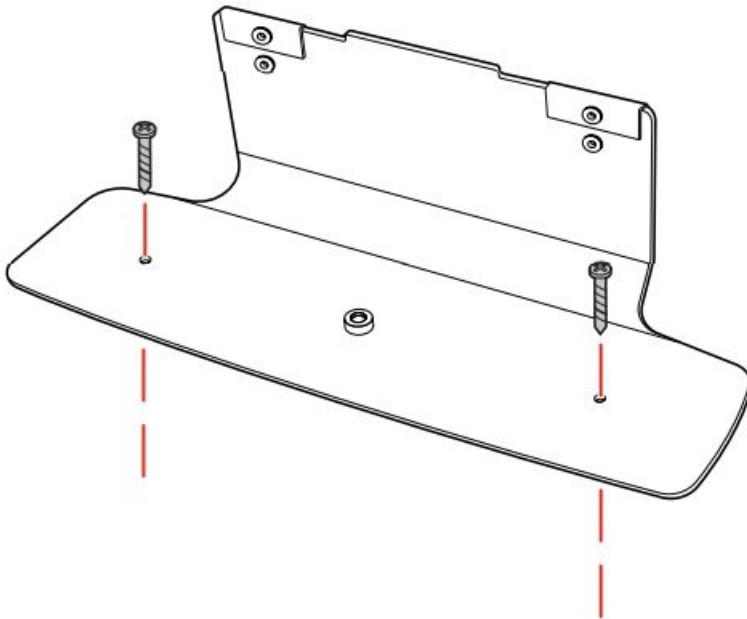


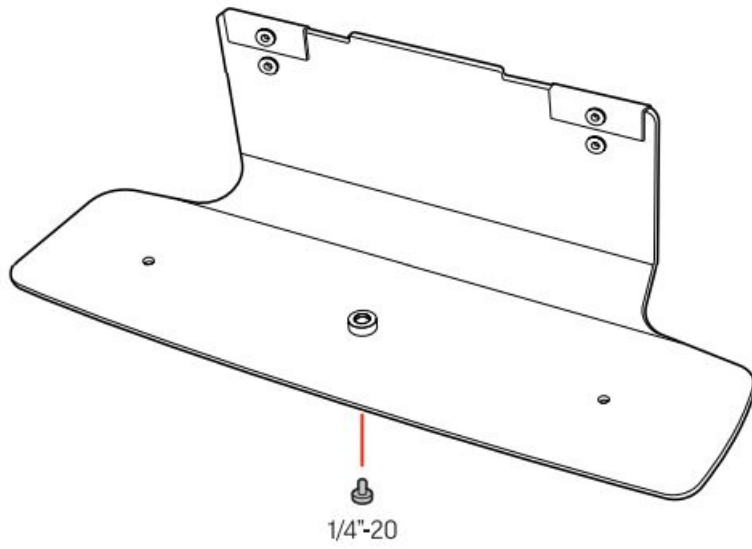
Poly Studio X52 Stand Brackets



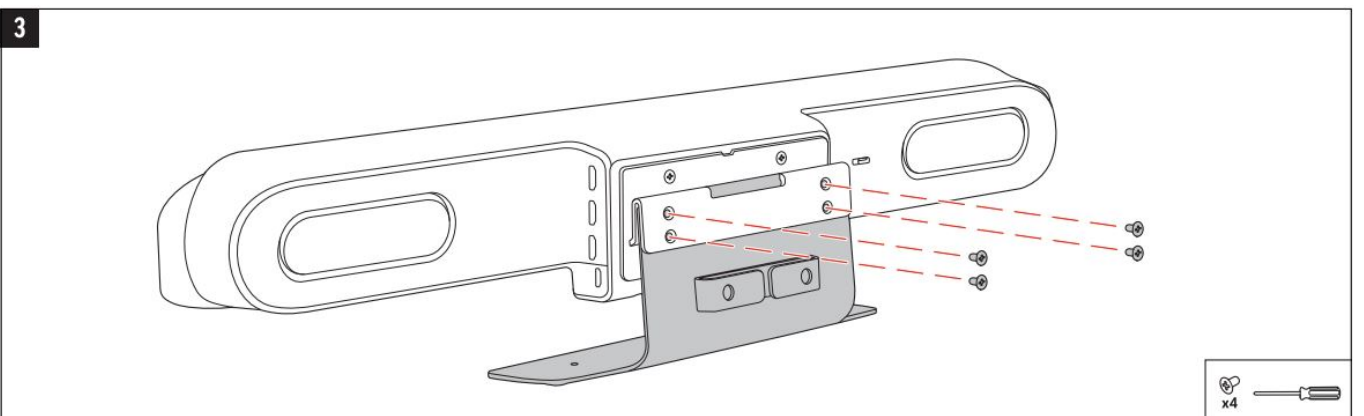
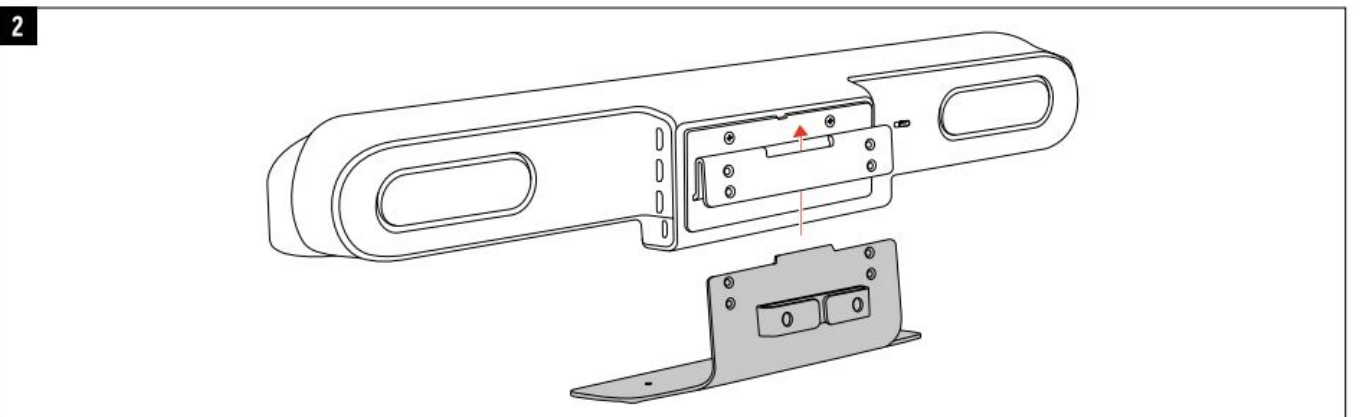
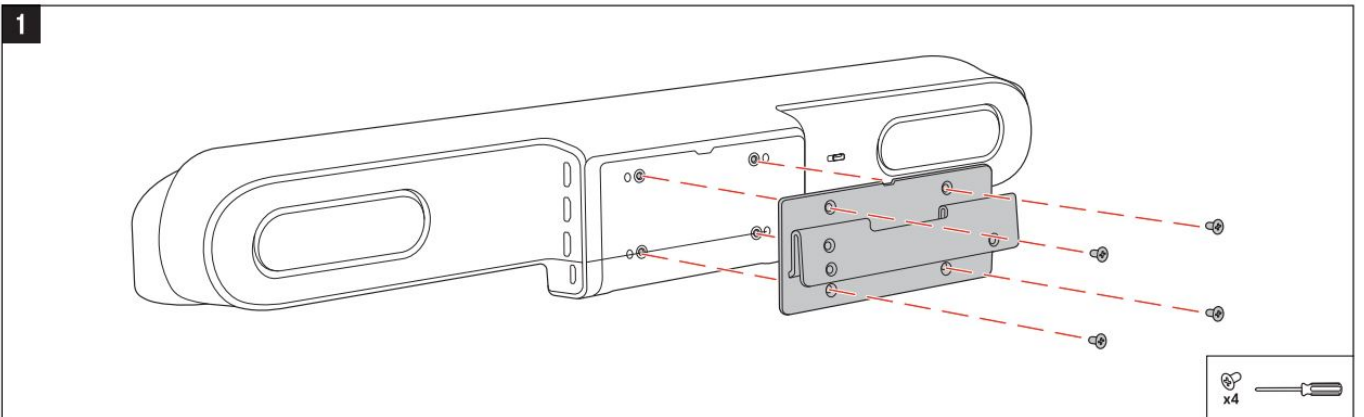
(8) M4 × 8 mm

OPTIONAL





INSTRUCTION



www.poly.com/support/studio-x52



Recyclable where
facilities exist

© 2023 Poly. All trademarks are the property of their respective owners.



1725-87991-001C 01.23
Studio X52 Model P033

Documents / Resources

	<p>poly Studio X52 All-In-One Video Bar [pdf] User Guide Studio X52 All-In-One Video Bar, Studio X52, All-In-One Video Bar, Video Bar, Bar</p>
	<p>poly Studio X52 All-In-One Video Bar [pdf] User Guide Studio X52 All-In-One Video Bar, Studio X52, All-In-One Video Bar, Video Bar, Bar</p>

References

- [▶ Studio X52 | Poly, formerly Plantronics & Polycom](#)
- [▶ Studio X52 | Poly, formerly Plantronics & Polycom](#)

[Manuals+](#)