



User Manual

celexon electric laser TV shelf



Thank you for purchasing this product.

For optimum performance and safety, please read these instructions carefully before connecting or operating this product. Please keep these instructions for future reference.

WARNINGS

The purpose of this operating manual is to familiarise you with the operation of this product. Therefore, keep these instructions in a safe place, so that you can access them at any time.

- Do not start the assembly before you have read and understood the complete operating instructions.
- Carry out the installation with another person to ensure a safe installation.
- Remove the product from the packaging and remove all packaging material. Make sure that no packaging material is on or in the product. If you notice any damage to the packaging, also check whether there is any damage to the product. If you notice any external damage to the device or unexpected or unusual functions, the product must not be used any longer. Immediately contact the dealer from whom you purchased the product or celexon directly (Web: www.celexon.co.uk, Mail: info@celexon.co.uk) for further information.
- To ensure trouble-free operation, the product must only be used indoors, it is NOT intended for outdoor use.
- Unsupervised use of the device and accessories is prohibited for children under 16 years of age.
- Ensure that no children play with the devices or stay in the vicinity without supervision.
- Converting or modifying the product impairs product safety.
- **Caution: Risk of injury!**
 - Never open the product without authorisation. Never carry out repairs yourself!
 - If the pull-out extends, it is top-heavy and can fall down. Before first operation the pull-out must be fixed in place or otherwise only tested on a flat floor.
- Do not use the product in the vicinity of gas or water-bearing equipment or in dusty environments.
- Handle the product with care. It can be damaged by shocks, impacts or falling from even a small height.
- Keep the product away from moisture and heat.
- Never immerse the product in water or other liquids.
- Use the product only in its intended manner, any other use may result in personal injury, damage to the product or its surroundings.
- All supply lines and cables must not be subjected to additional loads and must be laid in such a way that they do not become a trip hazard, damaged or crushed.
- The appliance is authorised for indoor use only.

- Failure to follow the above instructions may result in personal injury and damage to the product or equipment connected to it. Also, incorrect installation or use may void the warranty.
- If you are unsure about the use of the product, please contact your qualified personnel, your dealer or celexon directly (Web: www.celexon.co.uk, Mail: info@celexon.co.uk).
- Technical changes and errors expected.

The manufacturer accepts no responsibility for damage to property or personal injury, if the shelf is used outside the recommended specifications, or in the event of improper installation.

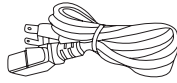
DISCLAIMER

The information in this document is subject to change without notice by the manufacturer. Changes will be added to the following versions of this manual. The manufacturer does not guarantee or warranty for the correctness of the information in this document.

IN THE BOX



1x Radio remote control



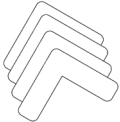
1x Power cable



8x M5x35 wall screws



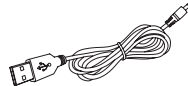
8x M4x6 combination screws



4x Foam rubber adhesive pads



1x Trigger cable
(2,5 mm to 3,5 mm)



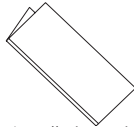
1x USB trigger cable



2x Mounting brackets



8x Wall plugs



1x Installation guide

TECHNICAL DATA

Voltage: 230 V, 50 Hz

Consumption: 20 W (MAX)
0,1 A

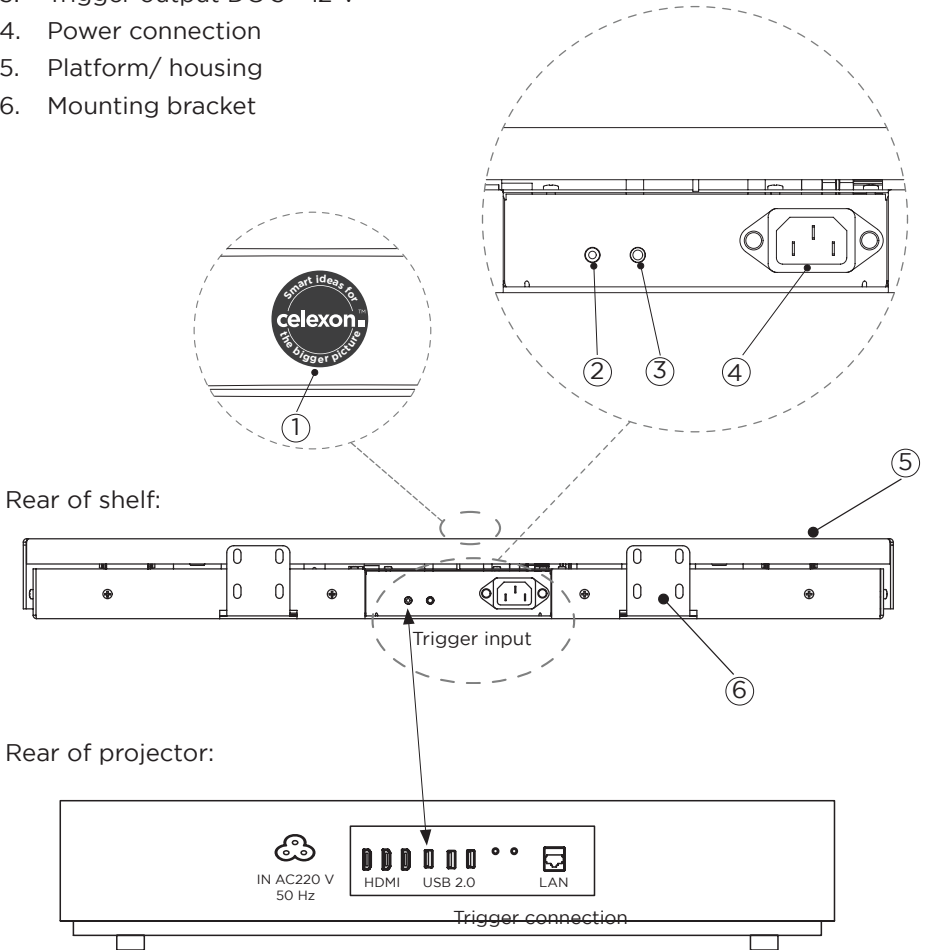
Control: Radio remote control 3V / 2 x CR2032

Maximum extension: 290 mm

Maximum load: 20 kg

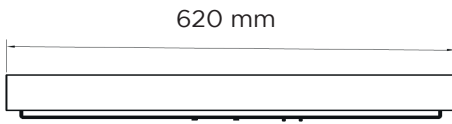
PRODUCT OVERVIEW

1. Logo cycle button
2. Trigger input DC 5 - 12 V
3. Trigger output DC 5 - 12 V
4. Power connection
5. Platform/ housing
6. Mounting bracket

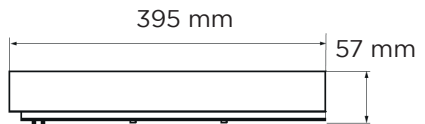


DIMENSIONS

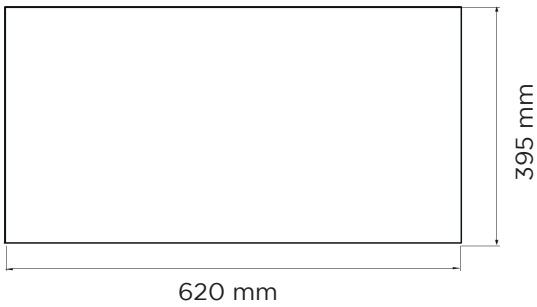
Front view:



Side view:



Top view:

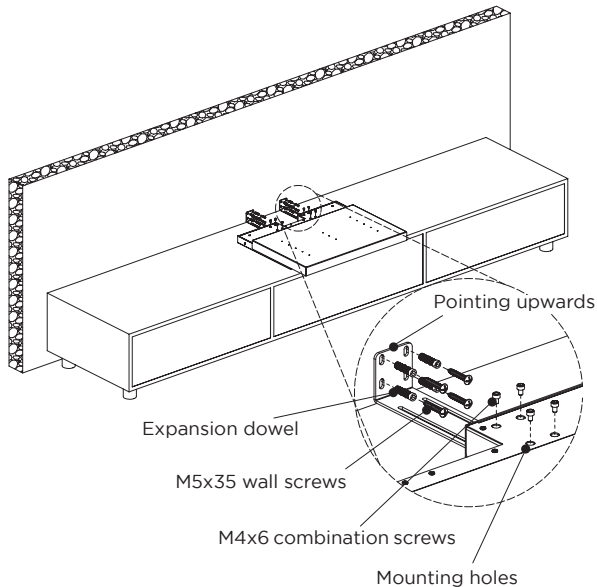


ASSEMBLY - METHOD 1

1. Switch on the appliance and extend the mobile pull-out until the installation holes are visible. Ensure that the pull-out is positioned on a surface that offers sufficient space to the front to prevent it from falling.
2. Slide the two mounting brackets into the recesses at the rear of the pull-out unit, with the 4 mounting holes pointing upwards. Loosely screw on the 8 M4x6 combination screws using a magnetic screwdriver.
3. Align the pull-out on the furniture and mark the installation holes on the wall. The angles can be adjusted in the distance to the pull-out.
4. Remove the pull-out, drill the installation holes and insert the expansion plugs and fasten the pull-out with 8 M5x35 wall screws.

Attention: The enclosed mounting material is only suitable for mounting on solid stone walls. Obtain suitable mounting material for your structure.

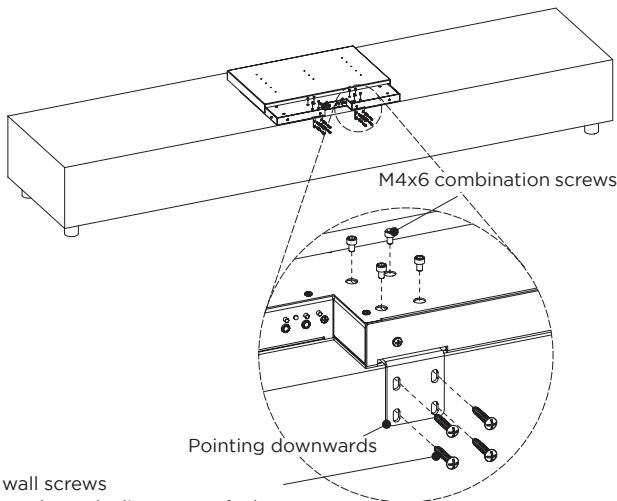
5. Tighten the 8 M4x6 combination screws firmly, but do not overtighten them to finalise the installation.



ASSEMBLY - METHOD 2

1. Switch on the appliance and extend the mobile pull-out until the installation holes are visible. Ensure that the pull-out is positioned on a surface that offers sufficient space to the front to prevent it from falling.
2. Slide the two mounting brackets into the recesses at the rear of the pull-out unit, with the 4 mounting holes pointing downwards. Loosely screw on the 8 M4x6 combination screws using a magnetic screwdriver.
3. Align the pull-out on the furniture and screw it in place with the 8 M5x35 wall screws. The angles can be adjusted in distance.
4. Tighten the 8 M4x6 combination screws firmly, but do not overtighten them to finalise the installation.

Note: To attach the pull-out to a piece of furniture, you should use 8 screws whose length and diameter are adapted to the respective situation to avoid damage to your furniture.



M5x35 wall screws
(The length and diameter of the screws should be adapted to the situation.)

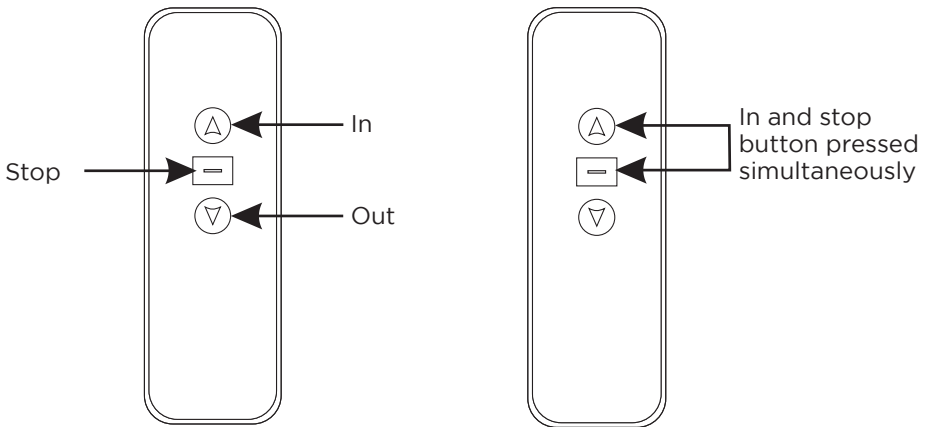
START-UP AND OPERATION

Insert the plug into the socket and make sure the voltage is correct (220-230 V).

Programming the remote control:

Note: The remote control is already paired at the factory. No pairing is necessary.

If you need to re-pair the remote control, then follow the instructions below. Within 10 seconds of connecting the device to the power supply, press the 'In' and 'Stop' buttons on the remote control simultaneously for 2-3 seconds. The pull-out moves forwards and backwards once, indicating that the remote control has been successfully paired.



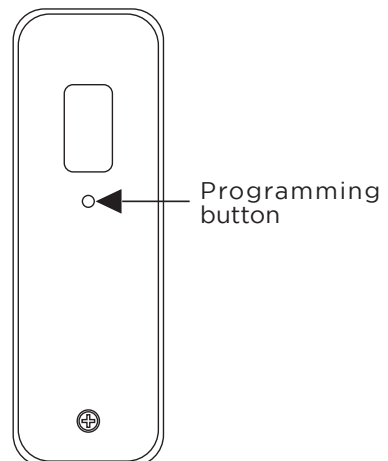
SETTING THE STOP POINTS WITH THE REMOTE CONTROL

Method for setting the end position in the extended state:

1. Use a paper clip to press the programming button on the back of the remote control. The LED lights up.
2. Press the 'Out' button on the remote control, the pull-out will extend. Press the 'Stop' button when it reaches the desired position.
3. Use the paper clip to press the programming button on the back of the remote control again. The LED goes out. The pull-out moves forwards and backwards once and the setting of the extended end position is successfully completed.

Method for setting the end position in the retracted state:

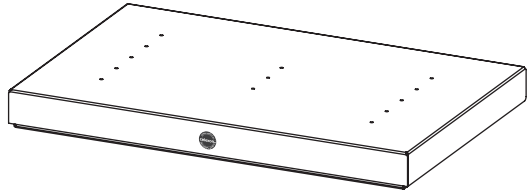
1. Extend the platform a little if it is fully retracted.
2. Use a paperclip to press the programming button on the back of the remote control. The LED lights up.
3. Press the 'In' button on the remote control, the pull-out retracts. Press the 'Stop' button when it has reached the desired position.
4. Use the paper clip to press the programming button on the back of the remote control again. The LED goes out. The pull-out moves forwards and backwards once, and the setting of the retracted end position has been successfully completed.



OPERATION ON THE PLATFORM

Manual control via the cycle button on the front follows this operating scheme: OPEN-STOP-CLOSE-STOP-OPEN etc.

Each press of the button triggers the next function in the cycle.



SETTING THE STOP POINTS WITH CYCLE BUTTON

The method for setting the end position in the extended state:

Press and hold the cycle button for 5 seconds, the buzzer will „beep“ once and then „beep“ again to set the limit value in the open state. Move the platform to the corresponding position and press and hold the cycle button for 3 seconds, the buzzer sounds „beep, beep“ twice and the setting of the limit value in the open state is complete.

Method for setting the end position in the retracted state:

Press and hold the cycle button for 3 seconds, the buzzer will „beep“ once to set the limit value in the retracted state. Move the platform to the corresponding position and press and hold the cycle button for 3 seconds, the buzzer will sound „beep, beep“ twice and the setting of the limit value in the closed state is completed.

Reset the settings:

Press and hold the cycle button for 8 seconds, the buzzer will sound „beep, beep, beep“ three times and the mobile platform reset is complete.

INFORMATION ON EU CONFORMITY

Manufacturer: celexon Europe GmbH
Address: Gutenbergstraße 2, 48282 Emsdetten, DE
Product name: celexon electric laser TV shelf

Hereby celexon Europe GmbH declares that the celexon electric laser TV shelf complies with the directive 2014/53/EU. The EU declaration of conformity can be downloaded from the following address: www.celexon.com/zertifikate



The symbol indicates the separate collection of electrical and electronic devices in EU countries. Please do not throw the device into household waste. Find out about the return system applicable in your country and contact your local authority or your local waste and pollutant collection point if you have any questions about the disposal process.

INFORMATION ON UK CONFORMITY

Manufacturer: celexon Europe GmbH
Address: Gutenbergstraße 2, 48282 Emsdetten, DE
Product name: celexon electric laser TV shelf

Hereby celexon Europe GmbH declares that the radio equipment type celexon electric laser TV shelf complies with the Radio Equipment Regulations 2017. The UK declaration of conformity can be downloaded from the following address: www.celexon.com/zertifikate



The symbol indicates the separate collection of electrical and electronic devices in EU countries. Please do not throw the device into household waste. Find out about the return system applicable in your country and contact your local authority or your local waste and pollutant collection point if you have any questions about the disposal process.