

Yealink UVC30 4K USB Camera



UVC30 USB camera is a Ultra HD camera released by Yealink. It includes two editions to satisfy different usage scenarios, one is the UVC30-Room edition for small and huddle meeting rooms, the other is the UVC30-Desktop edition for your daily use with your PC. Based on standard UVC protocol, UVC30 camera can work with most UC platform, including Microsoft Teams and Skype for Business, Zoom, etc.



Products at a Glance

Yealink UVC30-Room 4K USB Camera

Smart Framing 4K USB Camera for Meeting Rooms

Yealink UVC30 Room is a premium USB camera designed for small and huddle meeting room. Offering sharp image and accurate color reproduction, it rewards you with a vivid face-to-face video meeting experience in ultra HD 4K resolution and high frame rates. A wide FOV ensures everyone sitting around the table visible during a meeting that perfectly suits the focus and small meeting room. Based on the facial detection, it supports auto framing feature to accomplish a much more intelligent meeting experience. What's more, a flexible clip gives you multiple choices to mount UVC30 Room.

Key Features:

Superb Image Quality



UVC30 Room not only delivers the best-class image quality with natural color reproduction, but also the smooth video and details, endeavoring to optimize the meeting experience for users. UVC30 Room also supports multiple resolutions, including 4K/30FPS, 1080P/60FPS and 720P/60FPS to adapt to different displays and applications.

Smooth and Precise Auto-Framing, API for Data Analysis



Based on face detection, UVC30 Room is capable of performing auto-framing to frame people in the room smoothly and precisely, bringing a more intelligent meeting experience for users. With API developed, statistic data of people in meeting room is accessible for further analyzing.

Ultra Expansive Field of View



With large 120° field of view, everyone sitting in the room can be seen without any position adjustment, perfectly suit for focus and small meeting room.

Easier and Smooth PTZ Control



Certified by Microsoft & Zoom, UVC30 Room can achieve an easier and smooth PTZ control on touch console via Yealink Room-Connect and Zoom Rooms Camera Control. It can entirely work with all Microsoft Teams Rooms systems and Zoom Rooms systems as a USB camera.

Multiple Mounting Options



With a retractable clip, you can mount UVC30 wherever it works best, whether on the top of monitor, under the monitor or on the wall.

Yealink UVC30-Desktop 4K Webcam

Ultra HD 4K Webcam for PC

Yealink UVC30 Desktop is a new USB Camera with 4K UHD and 3x digital zoom for vivid and excellent experience. Equipped with built-in infrared sensor and face recognition, UVC30 Desktop supports Windows Hello feature to enhance your login security. Thanks to the sharp image and accurate color reproduction, it provides a vivid face-to-face video meeting experience in ultra HD 4K resolution and high frame rates. Through Yealink USB Connect, users can adjust the FOV of UVC30 Desktop as needed. Moreover, the feature of facial detection allows UVC30 Desktop always to frame people smoothly and precisely to accomplish a much more intelligent experience.

Key Features:

Superb Image Quality



UVC30 Desktop not only delivers a the best-class image quality with natural color reproduction, but also the smooth video and details, endeavoring to optimize the meeting experience for users. UVC30 Desktop also supports multiple resolutions, including 4K/30FPS, 1080P/60FPS and 720P/60FPS to adapt to different displays and applications.

Adjustable Field of View



UVC30 Desktop supports three FOV adjustments (70°/90°/120°) to meet different user demands.

Windows Hello Feature



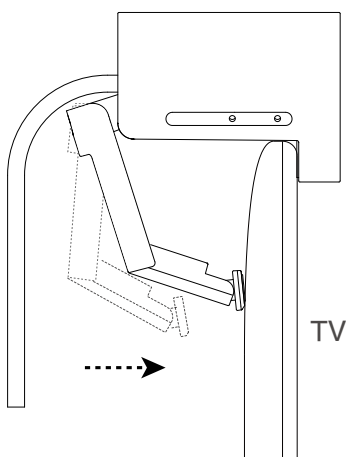
Certified by Microsoft, UVC30 Desktop is capable of Windows Hello feature to enhance your PC login security.

HD Voice Quality

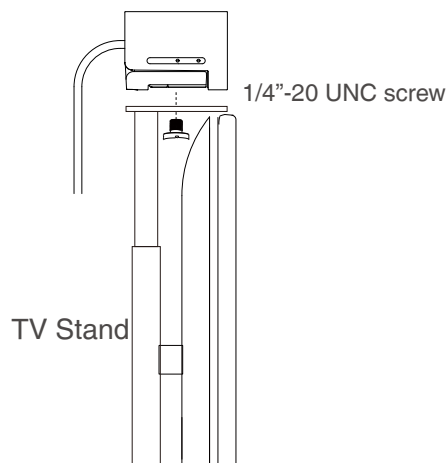


The embedded microphone helps UVC30 Desktop to achieve a voice pickup range of up to 150°/ 6.6 feet and deliver a clear and optimal sound.

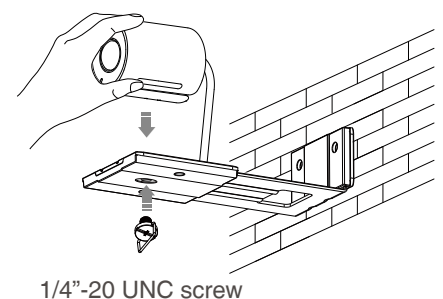
UVC30 Installation



Mount on top of a TV



Mount onto a TV Stand or a Tripod



Mount on a Wall

UVC30 Room & Desktop Specification

Model	UVC30 Room	UVC30 Desktop
Positioning	Small and huddle rooms	Personal computer
Camera	1/2.5" CMOS, 8.51M pixel	1/2.5" CMOS, 8.51M pixel
UVC Protocol	UVC 1.0	UVC 1.5/UVC1.0
USB Cable	1 x 3m USB 2.0	1 x 1.6m USB 3.0
Infrared Camera	x	✓
Built-in Microphone	x	✓
Depth of View (meter)	1m~5m	0.5m~3m
Field of View	120°	70°/90°/120°
Auto Framing	✓	✓
PTZ	EPTZ	EPTZ
Zoom	3x digital	3x digital
Video Output	4K30, 1080p30, 720p60/30	4K30, 1080p30, 720p60/30
Maximum Resolution	4K	4K
Maximum FPS	60FPS	60FPS
Wide Dynamic Range	✓	✓
Exposure	Auto	Auto
White Balance (WB)	ATW/Auto/Manual	ATW/Auto/Manual
Shutter Speed	1/60 ~ 1/10000 seconds	1/60 ~ 1/10000 seconds
Signal Noise Ratio(SNR)	63dB	63dB
LED Indicator	✓	✓
Effective Focus Length	f=2.22mm	f=2.22mm
Aperture (F#)	F/2.4	F/2.4
Min, Illumination	0.5 lux (in daylight), 0.1 lux (at night)	0.5 lux (in daylight), 0.1 lux (at night)
Dimensions	59 mm x ϕ 45 mm	59 mm x ϕ 45 mm
System Requirement	Windows7, Windows10, Mac OS 10.10 or higher	Windows7, Windows10, Mac OS 10.10 or higher
Certification	Microsoft Teams Rooms & Zoom Rooms	Windows Hello Certified

About Yealink

Yealink (Stock Code: 300628) is a global brand that specializes in video conferencing, voice communications and collaboration solutions with best-in-class quality, innovative technology and user-friendly experience. As one of the best providers in more than 140 countries and regions, Yealink ranks No.1 in the global market share of SIP phone shipments (Global IP Desktop Phone Growth Excellence Leadership Award Report, Frost & Sullivan, 2019).

Copyright

Copyright © 2020 YEALINK(XIAMEN) NETWORK TECHNOLOGY CO., LTD.

Copyright © 2020 Yealink(Xiamen) Network Technology CO., LTD. All rights reserved. No parts of this publication may be reproduced or transmitted in any form or by any means, electronic or mechanical, photocopying, recording, or otherwise, for any purpose, without the express written permission of Yealink(Xiamen) Network Technology CO., LTD.

Technical Support

Visit Yealink WIKI (<http://support.yealink.com/>) for firmware downloads, product documents, FAQ, and more. For better service, we sincerely recommend you to use Yealink Ticketing system (<https://ticket.yealink.com>) to submit all your technical issues.



YEALINK(XIAMEN) NETWORK TECHNOLOGY CO.,LTD.
Web: www.yealink.com
Addr: No.1 Ling-Xia North Road, High Tech Park,
Huli District, Xiamen, Fujian, P.R. China
Copyright©2021 Yealink Inc.All right reserved.