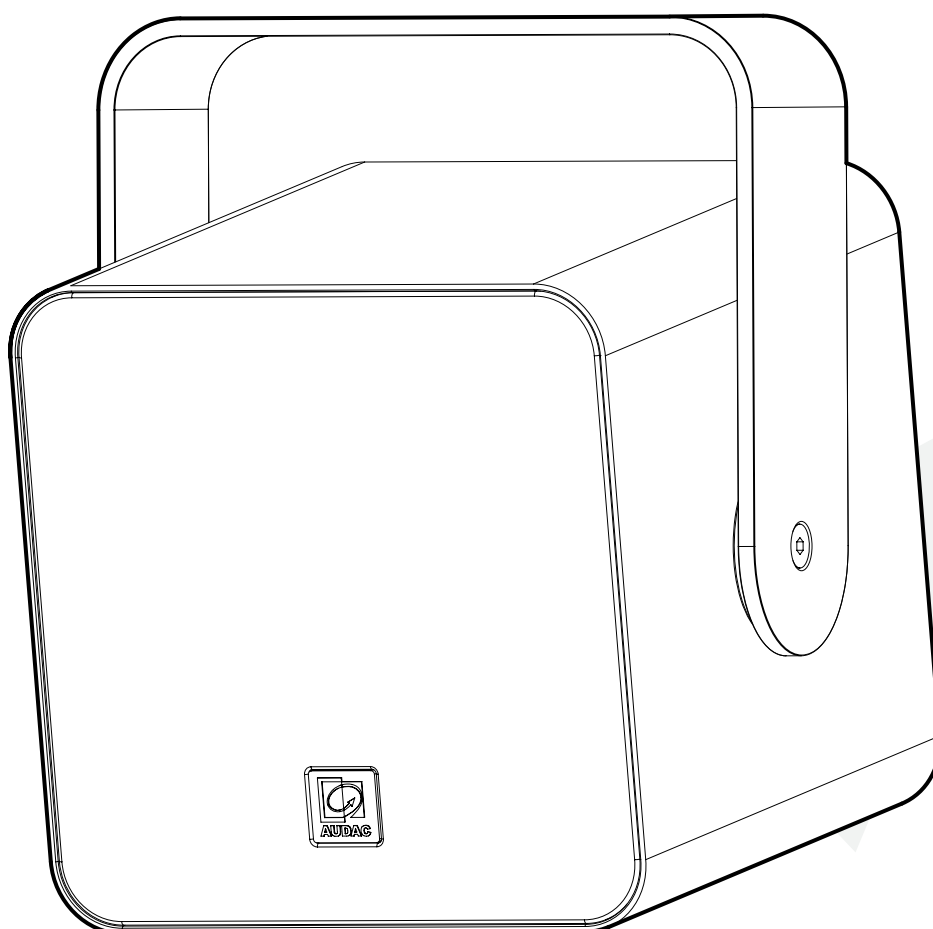


VIRO5



ADDITIONAL INFORMATION

This manual is put together with much care, and is as complete as could be on the publication date. However, updates on the specifications, functionality or software may have occurred since publication. To obtain the latest version of both manual and software, please visit the Audac website @ www.audac.eu.



Table of contents



| | |
|----------------------------------|------------|
| Introduction | 05 |
| Sounds that lasts | 05 |
| Precautions | 06 |
| Chapter 1 | 07 |
| Connections and connectors | 07 |
| Chapter 2 | 08 |
| Overview VIRO: Back | 08 |
| Chapter 3 | 010 |
| Bracket | 010 |
| Chapter 4 | 010 |
| Connecting VIROs | 010 |
| Technical specifications | 011 |

Sounds that lasts

The VIRO is a powerful 2-way performance speaker which is designed for outdoor and indoor use, ensuring true-to-nature, high fidelity reproduction of music and speech in every environment, ranging from residential applications to the most demanding outdoor applications in parks, hotels and even clubs.

Its stunningly design is made of robust and elegant aluminium. The aluminium construction and grill with hydrophobic cloth provides the necessary protection for all weather conditions. The combination of the cloth, sealing rubbers and drainage holes on the bottom of the speaker make it IP55 compliant. The VIRO loudspeaker is available in Black (/B) or White (/W).

Precautions



READ FOLLOWING INSTRUCTIONS FOR YOUR OWN SAFETY

ALWAYS KEEP THESE INSTRUCTIONS. NEVER THROW THEM AWAY

ALWAYS HANDLE THIS UNIT WITH CARE

HEED ALL WARNINGS

FOLLOW ALL INSTRUCTIONS

NEVER EXPOSE THIS EQUIPMENT TO RAIN, MOISTURE, ANY DRIPPING OR SPLASHING LIQUID. AND NEVER PLACE AN OBJECT FILLED WITH LIQUID ON TOP OF THIS DEVICE

NO NAKED FLAME SOURCES, SUCH AS LIGHTED CANDLES, SHOULD BE PLACED ON THE APPARATUS

DO NOT STICK ANY OBJECTS THROUGH THE VENTILATION OPENINGS.

DO NOT INSTALL THIS UNIT NEAR ANY HEAT SOURCES SUCH AS RADIATORS OR OTHER APPARATUS THAT PRODUCE HEAT

PLACE THE UNIT ON A STABLE BASE OR MOUNT IT IN A STABLE RACK

ONLY USE ATTACHMENTS & ACCESSORIES SPECIFIED BY THE MANUFACTURER

UNPLUG THIS APPARATUS DURING LIGHTNING STORMS OR WHEN UNUSED FOR LONG PERIODS OF TIME

USE THE APPARATUS ONLY IN MODERATE CLIMATES



CAUTION - SERVICING

This product contains no user serviceable parts. Refer all servicing to qualified service personnel. Do not perform any servicing (unless you are qualified to)



EC DECLARATION OF CONFORMITY

This product conforms to all the essential requirements and further relevant specifications described in following directives: 2014/30/EU (EMC) & 2014/35/EU (LVD).



WASTE ELECTRICAL AND ELECTRONIC EQUIPMENT (WEEE)

The WEEE marking indicates that this product should not be disposed with regular household waste at the end of its life cycle. This regulation is created to prevent any possible harm to the environment or human health.

This product is developed and manufactured with high quality materials and components which can be recycled and/or reused. Please dispose this product at your local collection point or recycling centre for electrical and electronic waste. This will make sure that it will be recycled in an environmentally friendly manner, and will help to protect the environment in which we all live.

Chapter 1

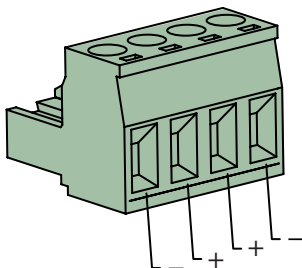
Connections and connectors

CONNECTION STANDARDS

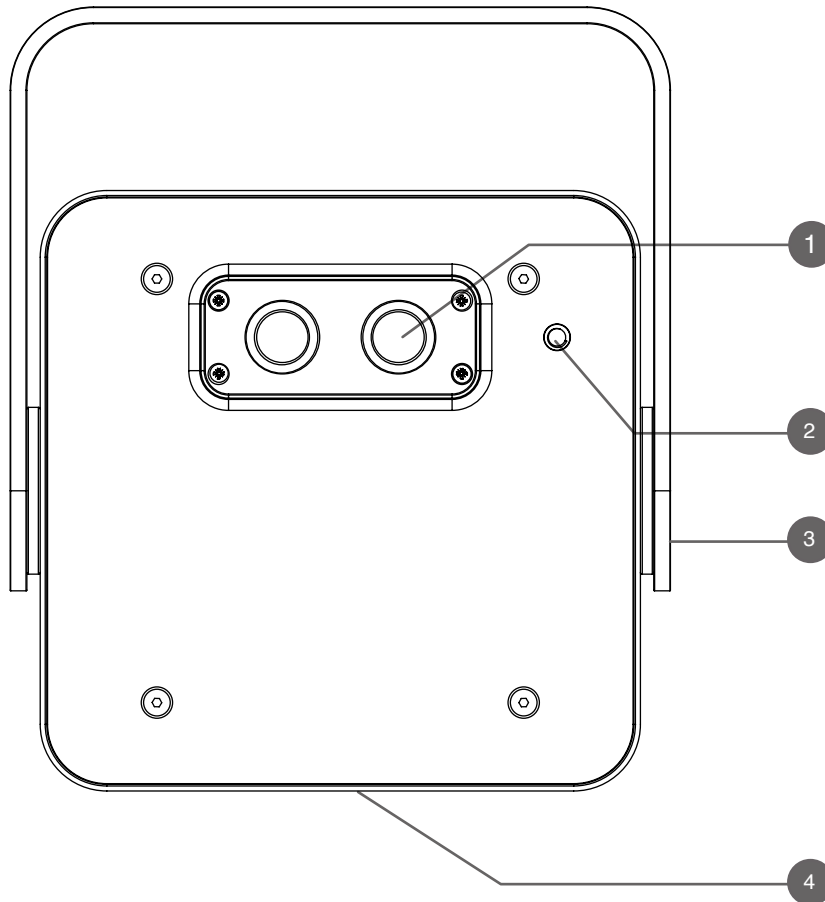
The in- and output connections for AUDAC audio equipment are performed according to international wiring standards for professional audio equipment

4-Pin Terminal block:

For signal input and output linking connections



Overview VIRO: Back



1) Cable entry plate

To connect the VIRO, the cable must pass through the backplate. The VIRO has two standard cable grommets in the provided openings. This grommet provides water tight protection.

An optional speakON connection plate with two NL4MP connectors (CVS102) is available. It can be installed by loosening the four screws of the cable entry plate. To connect, the back plate must be released.

2) Drop safety bushing

The VIRO5 has a M6 safety bushing. This provides the option of mounting drop safety wires. Please check your local regulations if this is required.

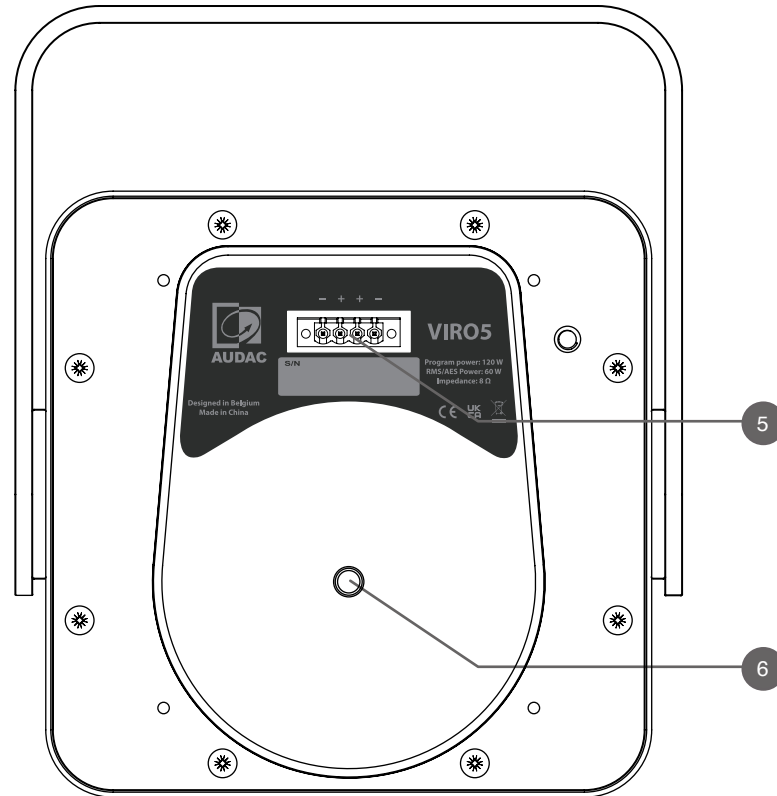
3) Bracket

The bracket of the VIRO is attached to the centre point of the speaker. It is designed in such a way that it can be fully rotated around the centre point. This allows the bracket to be mounted in all directions. More information about the bracket in 'Chapter 3'.

4) Water drainage holes

Two drainage holes are located at the bottom of the VIRO. The loudspeaker has a protection class of IP55 thanks to the sealing rubbers, the water-repellent cloth behind the grill and the drainage holes.

Install VIRO at a minimum down tilt of 5°. Standing water is avoided through this installation. At the same time, make sure that the drainage holes are located at the bottom.



5) Terminal block

The VIRO has the possibility of a link through connection. For this purpose, a 4-pole terminal block is provided. The wires coming from the amplifier must be connected to the left poles of the terminal block via the cable entry plate.

The correct polarity is indicated above the connector. Make sure that the polarity is correct throughout the system.

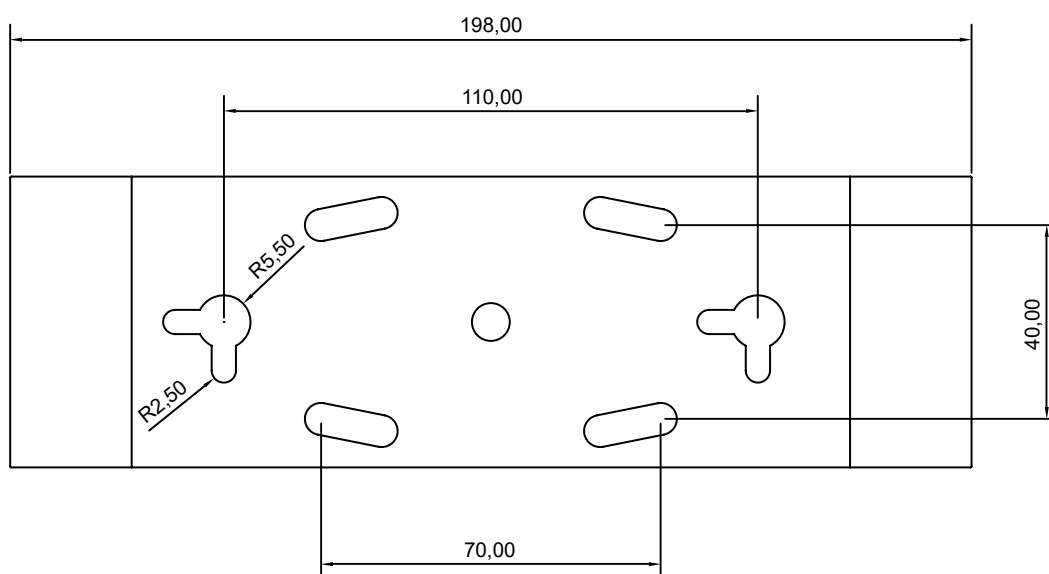
6) Transformer module point

Mounting point for the optional 70/100V transformer module (TRV106).

Bracket

The bracket of the VIRO is attached to the centre point of the speaker. It is designed in such a way that it can be fully rotated around the centre point. This allows the bracket to be mounted in all directions, on the ceiling, wall or floor. As a result, VIRO can be attached to various accessories.

For a solid fixation of the loudspeaker, it should always be attached by at least two screws. The position of the fastening holes depends on the surface to be mounted. Always use the proper fasteners depending of the mounting surface. Once the bracket is mounted on the desired location, the loudspeaker can be fixed to the bracket.

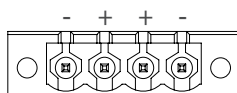


Chapter 4

Connecting VIROs

Multiple VIROs can be connected to each other. Make sure that all devices are switched off.

Connect the amplifier to the far left +/- of the 4-pin terminal block. The right-hand +/- at the terminal block is the connection to the next VIRO. If the optional transformer module is installed, the linkthrough must be done at the primary side of the transformer.



Technical specifications



| | |
|--------------------------|--|
| Peak Power handling | 240 Watt |
| Program Power handling | 120 Watt |
| RMS/AES power handling | 60 Watt |
| Nominal impedance | VIRO5: 8 Ohm VIRO5D: 16 Ohm |
| Sensitivity 1W/1m | 89 dB |
| Sound pressure Max W/1m | 110 dB |
| Frequency response - 3dB | 50 Hz - 20 kHz |
| Drivers | 2-way coaxial 5 1/4" speaker |
| Construction | Powder coated aluminium |
| Front finish | Aluminium with hydrophobic cloth |
| Colour | White (RAL9003) VIRO5/W & VIRO5D/W Black (RAL9004) VIRO5/B & VIRO5D/B |
| Dimensions (w x h x d) | 198 x 235 x 191 mm |
| Weight | 4.2 Kg |
| Optional accessories | 70-100V transformer module TRV106 SpeakON connection plate CVS102 Ground pin MBK523/G Pole mount MBK530 |



Discover more on audac.eu