

catchbox plus

wireless microphone system

Catchbox Plus is a wireless microphone system featuring the Catchbox throwable microphone and Presenter Mic, for use in meetings, lectures and events with up to 1000 participants. The throwable mic features Automute™ and is powered by the Wireless Charger. Capture and record audio from two mics simultaneously via analog (balanced + unbalanced) and digital (USB) audio signals. Catchbox Plus operates in the 1.8/1.9 GHz licence-free (DECT) radio band.

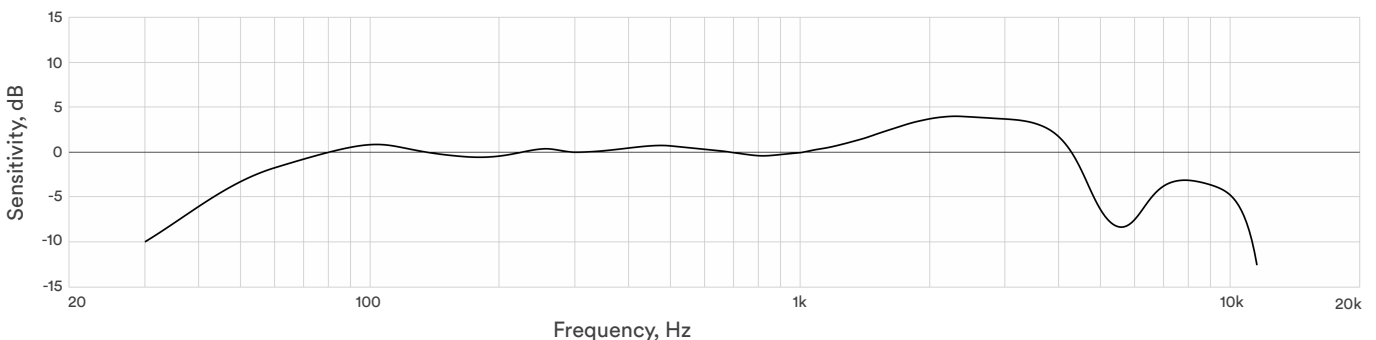


General Specifications

Working range	100 m / 330 ft (Line of Sight)*
Transmitters per receiver	2
Frequency band	DECT / DECT 6.0 (1.8 / 1.9 GHz band) We will ship the product according to your provided shipping address
Max radio output power	100 to 200 mW
Signal type	Digital
Antenna diversity	Yes
Max # of transmitters in one space	EU: up to 8, US: up to 4 Please see our website for other regions
Audio latency	One transmitter: 14 ms, Two transmitters: 18ms
Operating temperature range	0 °C (32 °F) to 30 °C (86 °F)
Storage temperature range	0 °C (32 °F) to 50 °C (122 °F)

* The actual operating range depends upon the RF output settings, the surroundings, the signal absorption, signal reflection and signal interference

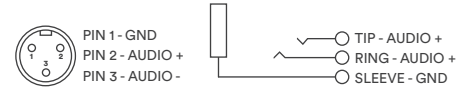
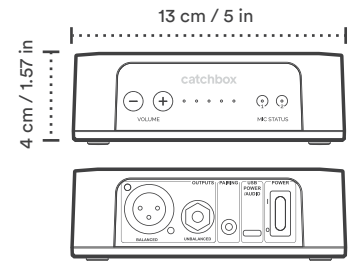
Audio frequency response



* Note: Frequency response is measured with attached foam cap

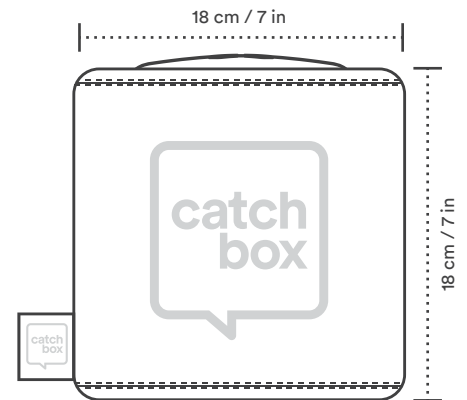
Receiver

Weight	200 g / 7 oz
Dimensions	130 × 130 × 40 mm / 5.1 × 5.1 × 1.4 in
Power supply	5V 1A USB-C
Gain offset range (Volume control)	Range: 15 dB. No of steps/positions: 4/5 Position values: -20dB -14dB -11dB -8dB -5dB Mute
Audio outputs	6.3 mm / 1/4 in jack socket - unbalanced, Line level XLR - balanced, Mic level USB-C - digital output



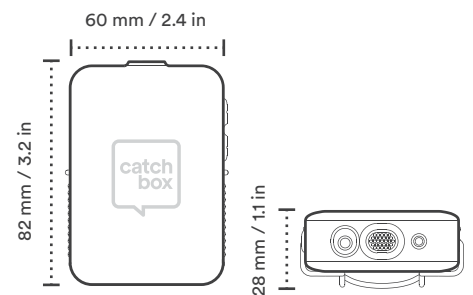
Transmitter (with Cover)

Weight	370 g / 13.05 oz
Dimensions	180 × 180 × 180 mm / 7 × 7 × 7 in
Built-in Automute technology	Yes
Microphone element	Electret condenser, omni-directional
Gain adjustment range (Volume control)	Range: 8 dB. No of steps/positions: 4/5 Step size: 2 dB
Audio frequency response	50 to 11000 Hz
Battery type	Li-ion, rechargeable
Battery life	12h
Battery charge time	Wireless: 6h USB-C: 3h
Wireless charger compatible	Yes (Catchbox proprietary protocol)



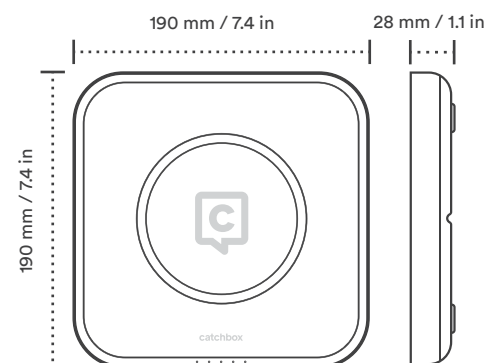
Presenter Mic*

Weight (with clip)	80 g / 2.8 oz
Dimensions (with clip)	82 × 60 × 28 mm / 3.2 × 2.4 × 1.1 in
Audio frequency response (built-in microphone)	50 to 11000 Hz
Microphone connector	3.5 mm / 1/8 in jack socket
Battery type	Li-ion, rechargeable
Battery life	7h
Battery charge time	USB-C: 2h
Wireless charger compatible	No



Wireless Charger*

Weight	385 g / 13.6 oz
Dimensions	189 × 189 × 30 mm / 7.44 × 7.44 × 1.18 in
Power supply	5V 1A USB-C
Charging protocol	Catchbox proprietary



* Presenter Mic and Wireless Charger needs to be purchased separately