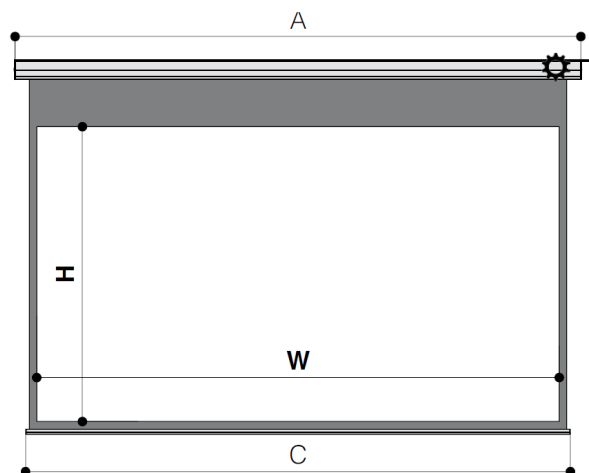


### TECHNICAL DRAWINGS

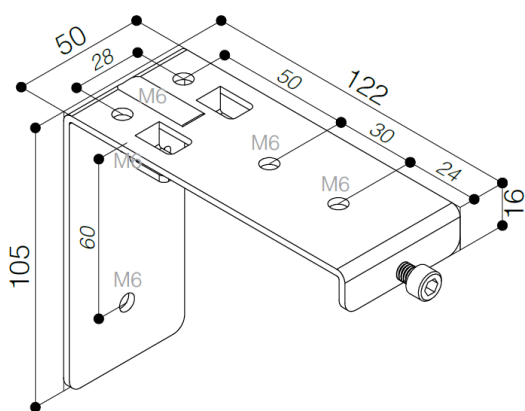
#### MOTOR

Performance: 10 Nm  
 Speed: 17 rpm  
 Power: 230V / 50 Hz  
 Power consumption: 156 W  
 Certification: IMQ

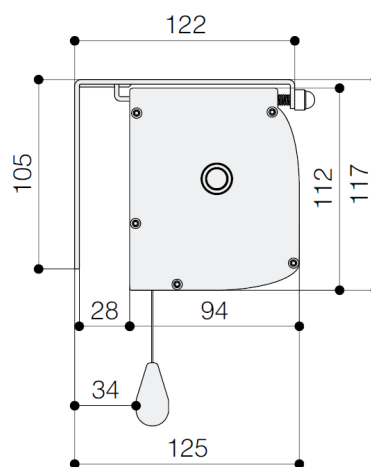
#### FRONT VIEW



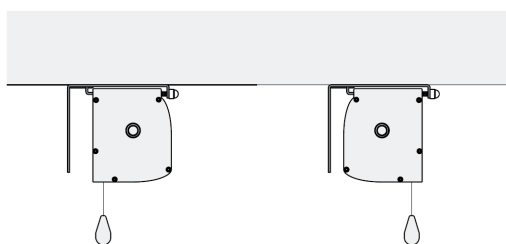
#### MOUNTING BRACKET



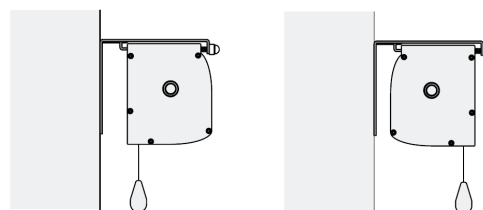
#### SIDE VIEW



#### WALL INSTALLATION



#### CEILING INSTALLATION



### TECHNICAL SPECIFICATIONS\*

Format 1:1 (W x H)	Black drop	Dimensions		Front projection fabric	Net weight
		A	C		
300 x 300 cm	-	321 cm	316 cm	Matt white, Type D, Gain 1,2	26 Kg
350 x 350 cm	-	371 cm	366 cm	Matt white, Type D, Gain 1,2	30 Kg
400 x 400 cm	-	421 cm	416 cm	Matt white, Type D, Gain 1,2	33 Kg
<b>Format 4:3</b>					
350 x 265 cm	-	371 cm	366 cm	Matt white, Type D, Gain 1,2	30 Kg
400 x 300 cm	-	421 cm	416 cm	Matt white, Type D, Gain 1,2	33 Kg
450 x 340 cm	-	471 cm	466 cm	Matt white, Type D, Gain 1,2	36 Kg
<b>Format 16:9</b>					
350 x 197 cm	40 cm	371 cm	366 cm	Matt white, Type D, Gain 1,2	30 Kg
400 x 225 cm	40 cm	421 cm	416 cm	Matt white, Type D, Gain 1,2	33 Kg
450 x 253 cm	40 cm	471 cm	466 cm	Matt white, Type D, Gain 1,2	36 Kg
<b>Format 16:10</b>					
350 x 219 cm	40 cm	371 cm	366 cm	Matt white, Type D, Gain 1,2	30 Kg
400 x 250 cm	40 cm	421 cm	416 cm	Matt white, Type D, Gain 1,2	33 Kg
450 x 281 cm	40 cm	471 cm	466 cm	Matt white, Type D, Gain 1,2	36 Kg
<b>Format 21:9</b>					
350 x 150 cm	40 cm	371 cm	366 cm	Matt white, Type D, Gain 1,2	30 Kg
400 x 171 cm	40 cm	421 cm	416 cm	Matt white, Type D, Gain 1,2	33 Kg
450 x 193 cm	40 cm	471 cm	466 cm	Matt white, Type D, Gain 1,2	36 Kg

Please note that all widths specified (W, A, C) include 5cm black borders. For pure white screens therefore 10cm need to be deducted. We can offer custom-built screens to match your requirements in all sizes and with multiple projection fabrics. Please contact us for more details.

### OPTIONAL PROJECTION FABRIC

Front projection				
Name	Properties	Gain	Viewing angle	Material
White	pure white	1.2	150°	PVC
Matt White	black back impervious to light	1.2	150°	PVC
Lumi Grey	contrast enhancing	0.8	150°	PVC
Cinesound	acoustically transparent	0.7	120°	Polyester fabric
Microperforated	acoustically transparent	1.1	150°	PVC
Lumi Grey Microperforated	contrast enhancing, acoustically transparent	0.8	150°	PVC
Rear projection				
FrontRear	for front and rear projection	0.9	120°	PVC
Rear Plus	for rear projection	1.1	120°	PVC

\* We accept no liability for any errors or misprints. Due to continuous technical improvements, we reserve the right to change design and specifications without prior notice.