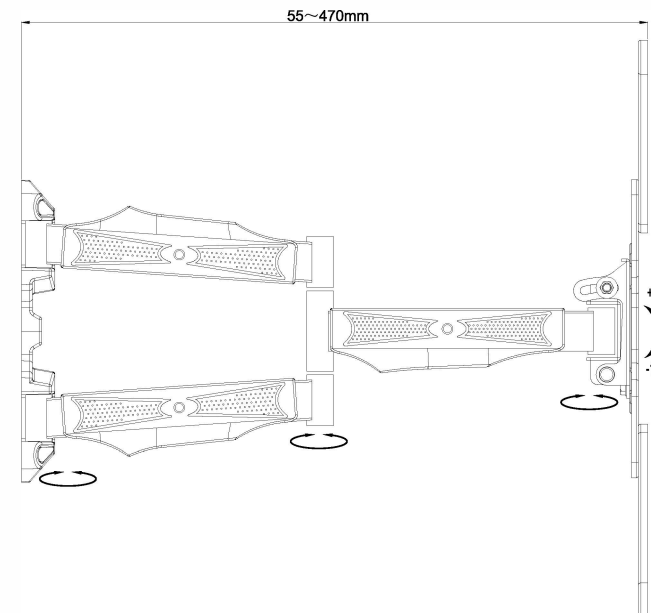
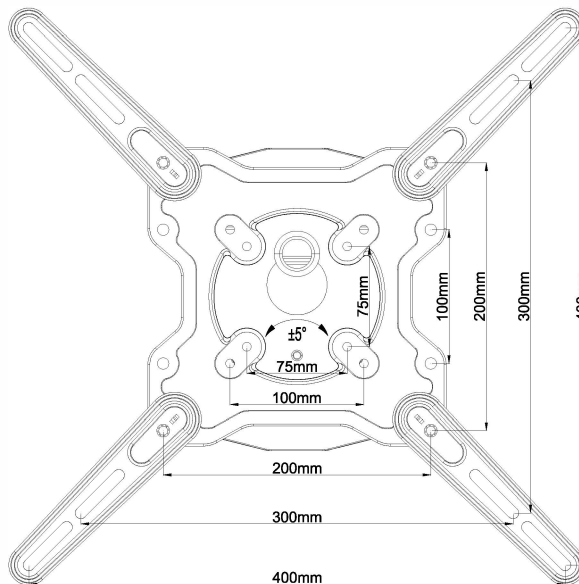
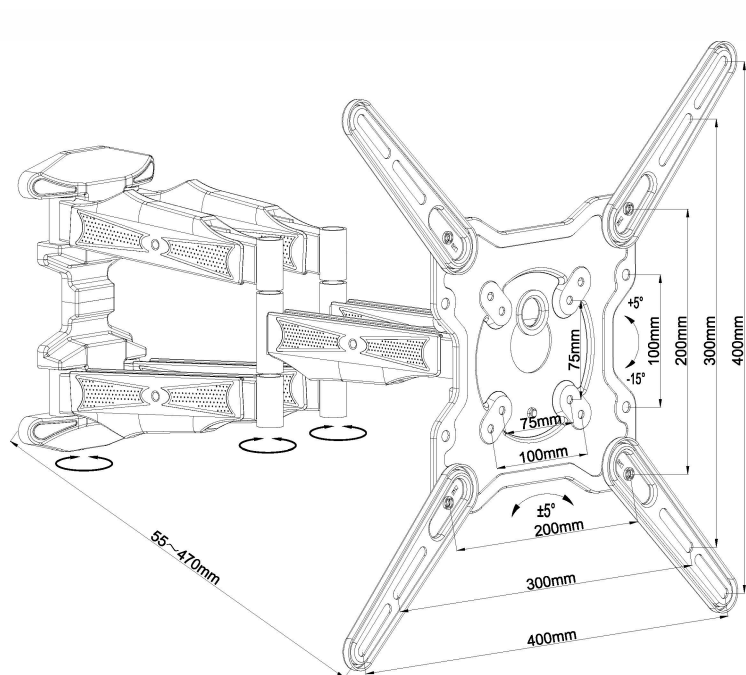




Smart Ideas for the bigger picture.



Product parameters:

1. Model: Adjust-SRT55470
2. Load Capacity: 50KG
3. Material: SPCC
4. Surfacing: Spray Finishing
5. VESA: 400x400mm

Mark	File name	Signature	Date				
Design		Technology				Weight	Proportion
Drafting		Standardization		S			1:1
Proofreading		Validation					
To examine		Date	2		A total of Zhang		A piece of

